

FS-GAVAL Insert compatible with Guild Academies of Valeria®



Assembly Instructions

The package contains four single sheets.

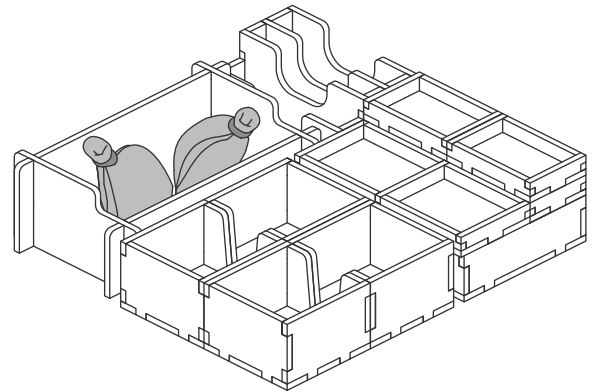
After assembly the trays are put in up to three layers in the original game box.

Ordinary PVA glue is required when assembling each tray.

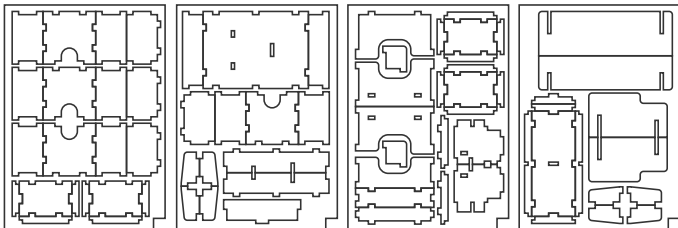
Please make sure you dry-assemble each tray correctly before gluing it together.

Please check www.foldedspace.com for general assembly tips.

FS-GAVAL

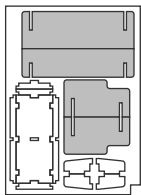


Sheet 1 Sheet 2 Sheet 3 Sheet 4

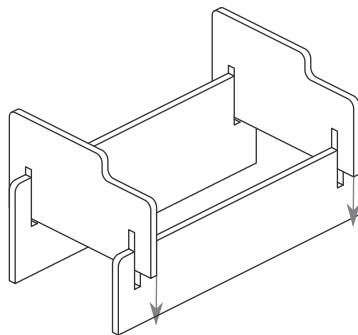


Tray 1

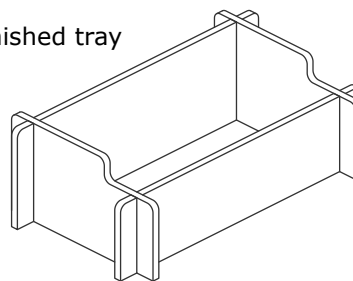
Sheet 4



Step 1



Finished tray



Tray 2a-d (the trays are identical)

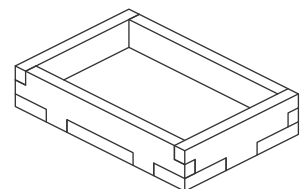
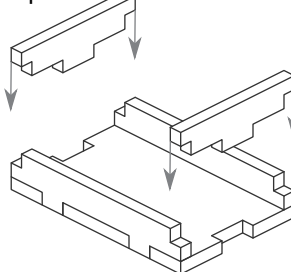
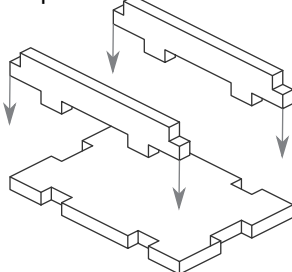
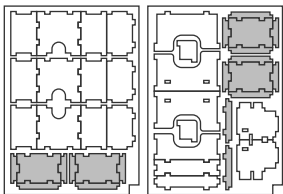
Sheet 1

Sheet 3

Step 1

Step 2

Finished tray



Tray 3a-d (the trays are identical)

Sheet 1

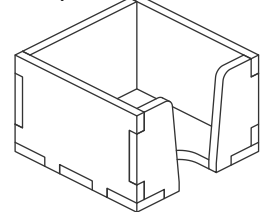
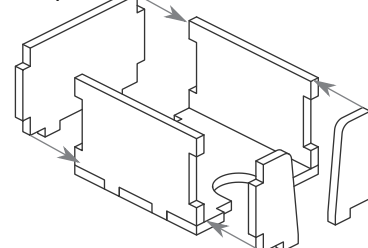
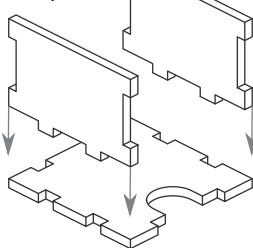
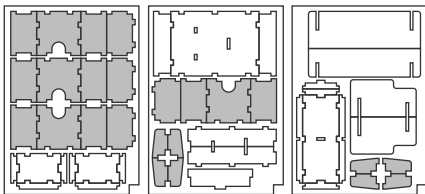
Sheet 2

Sheet 4

Step 1

Step 2

Finished tray



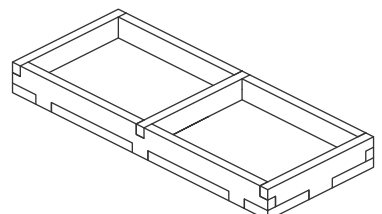
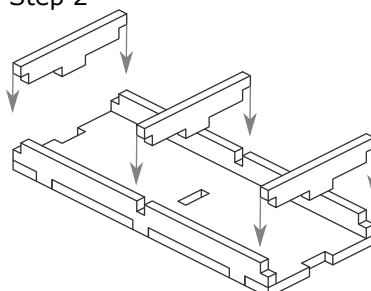
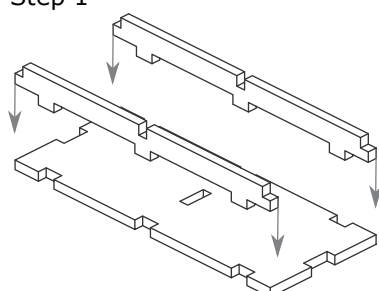
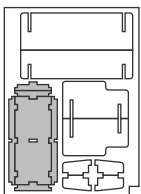
Tray 4

Sheet 4

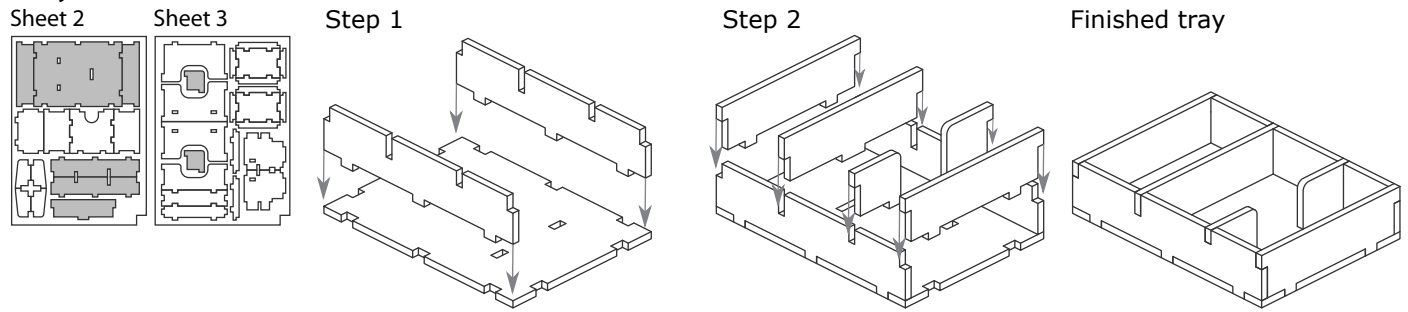
Step 1

Step 2

Finished tray

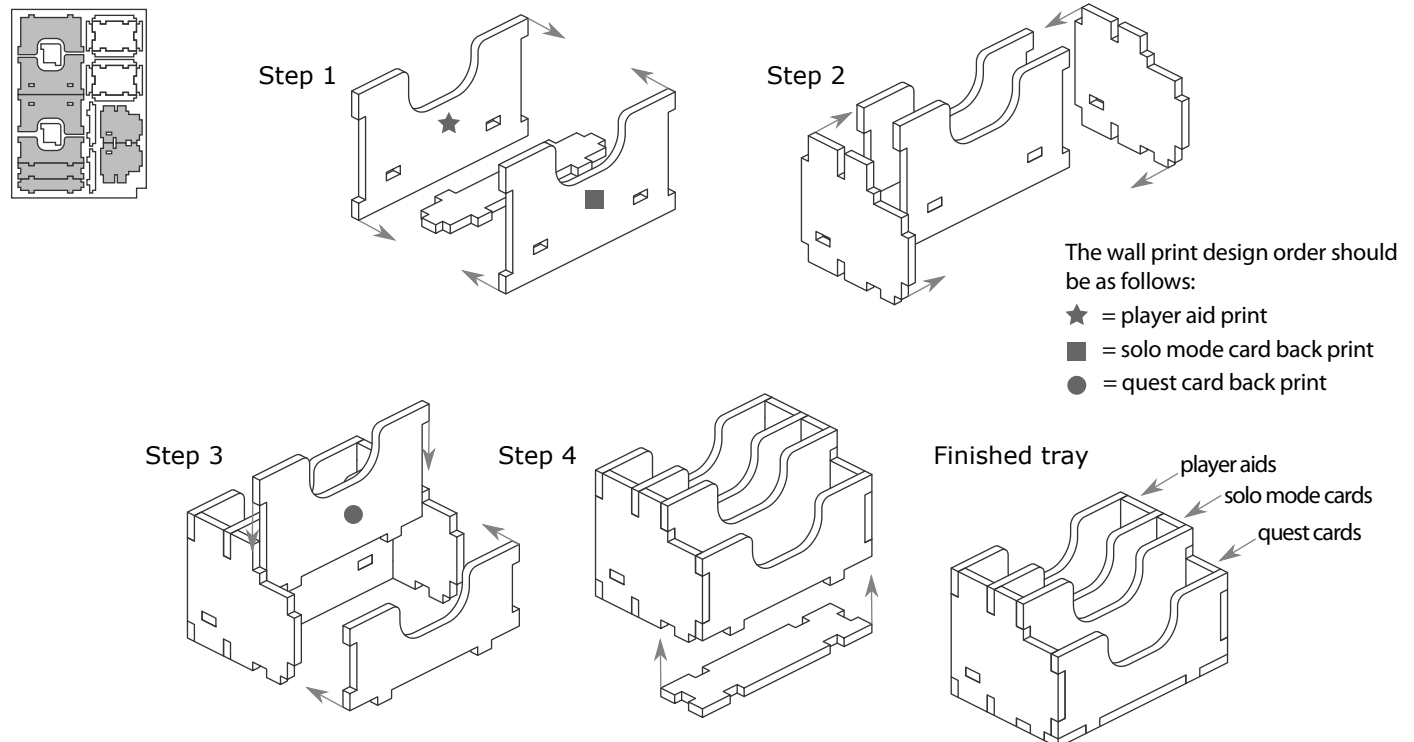


Tray 5

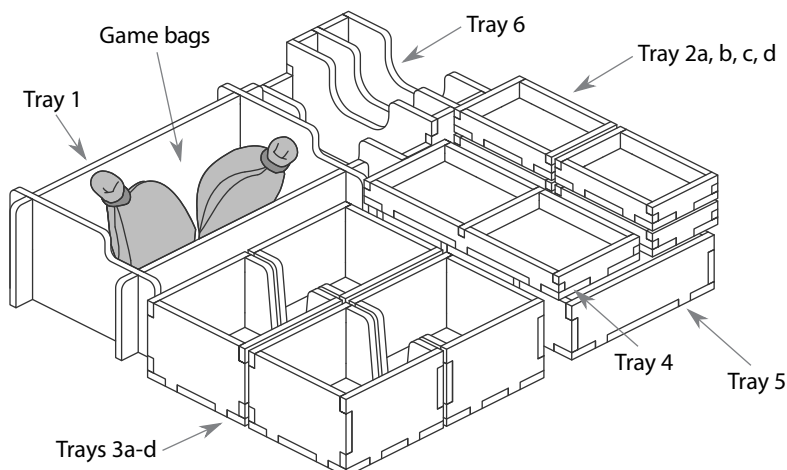


Tray 6 (the tray is higher on one side, make sure the long walls are correctly orientated)

Sheet 3



FS-GAVAL



Please check www.foldedspace.com for photos of this insert in use.

Tray legend

- Tray 1 - dice and professor draw bags
- Tray 2a, b, c, d - player pieces
- Tray 3a, b - guild classroom tiles
- Tray 3c - town classroom tiles
- Tray 3d - prestige tiles
- Tray 4 - favour and monument chits
- Tray 5 - student dice and professor, first player, & round tracker tokens
- Tray 6 - player aid tiles and cards

Note: Tray 1 has enough space to store the full bags, and Tray 5 has enough space to store all the dice and professors. Decide depending on your normal player count how to use the two trays best for you.