

FS-CORAQ Insert compatible with CoraQuest®, and separately compatible with the CoraQuest®: Keep on Questing expansion

Assembly Instructions



The package contains two single sheets.

After assembly the trays are put in up to two layers in the original game box.

Ordinary PVA glue is required when assembling each tray.

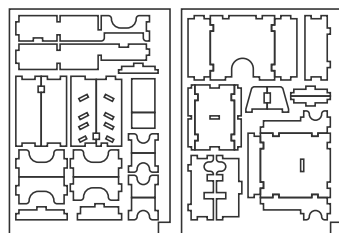
Please make sure you dry-assemble each tray correctly before gluing it together.

Please check www.foldedspace.com for general assembly tips.

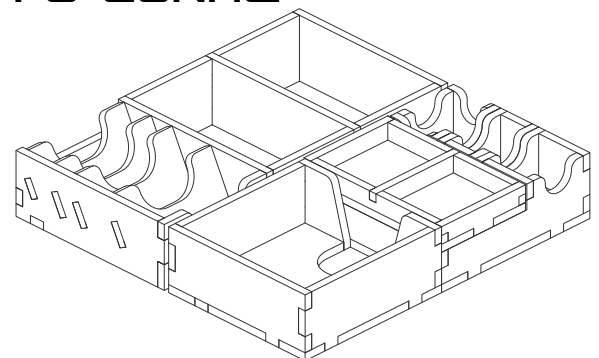
Note: trays 1, 2, & 3 have two sides to their base and also to the two inlay pieces in tray 3. For the base game use the side marked with a ★, for the Keep on Questing expansion use the side marked with a ●.

Sheet 1

Sheet 2



FS-CORAQ



Tray 1 (check which way up you need the base to be!)

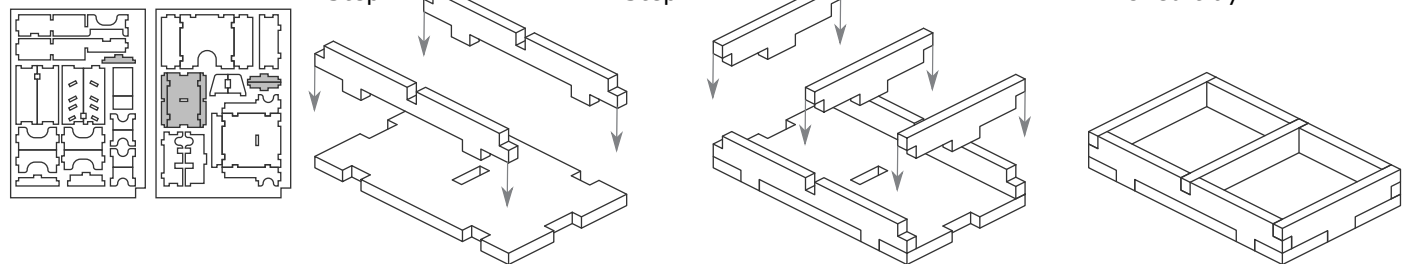
Sheet 1

Sheet 2

Step 1

Step 2

Finished tray



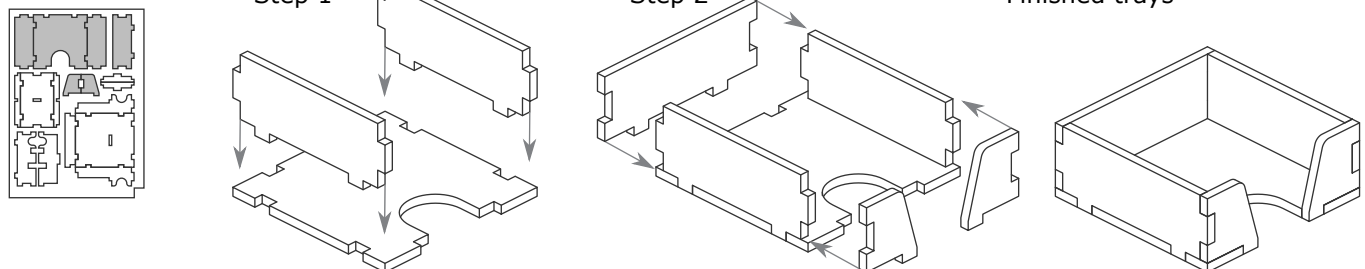
Tray 2 (check which way up you need the base to be!)

Sheet 2

Step 1

Step 2

Finished trays



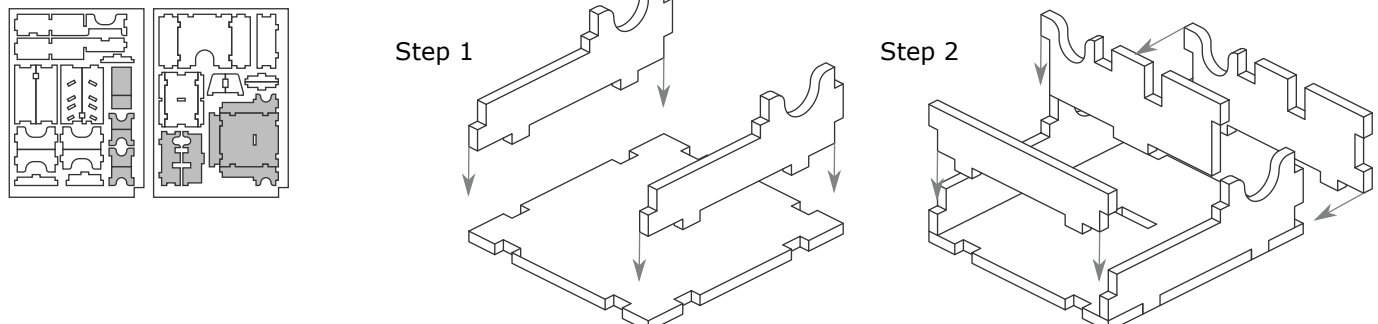
Tray 3 (check which way up you need the base & inlays to be!)

Sheet 1

Sheet 2

Step 1

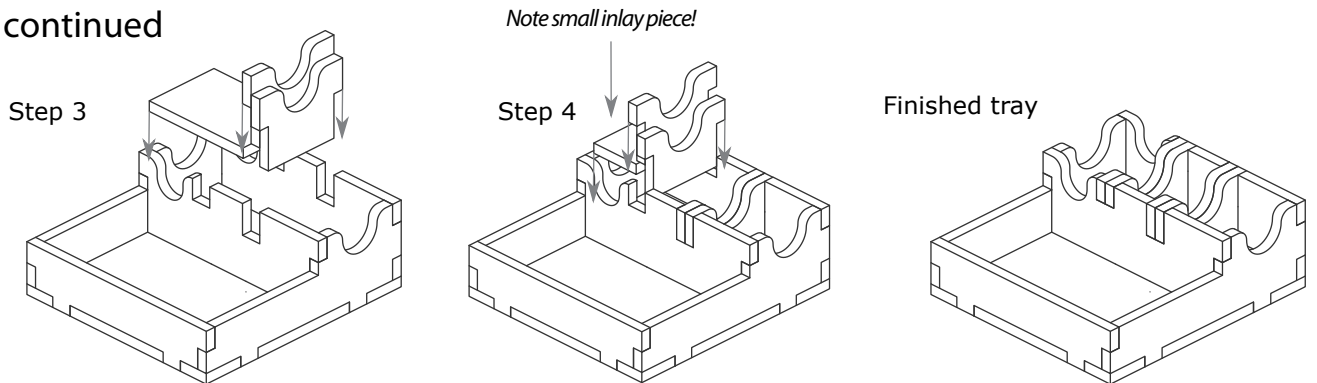
Step 2



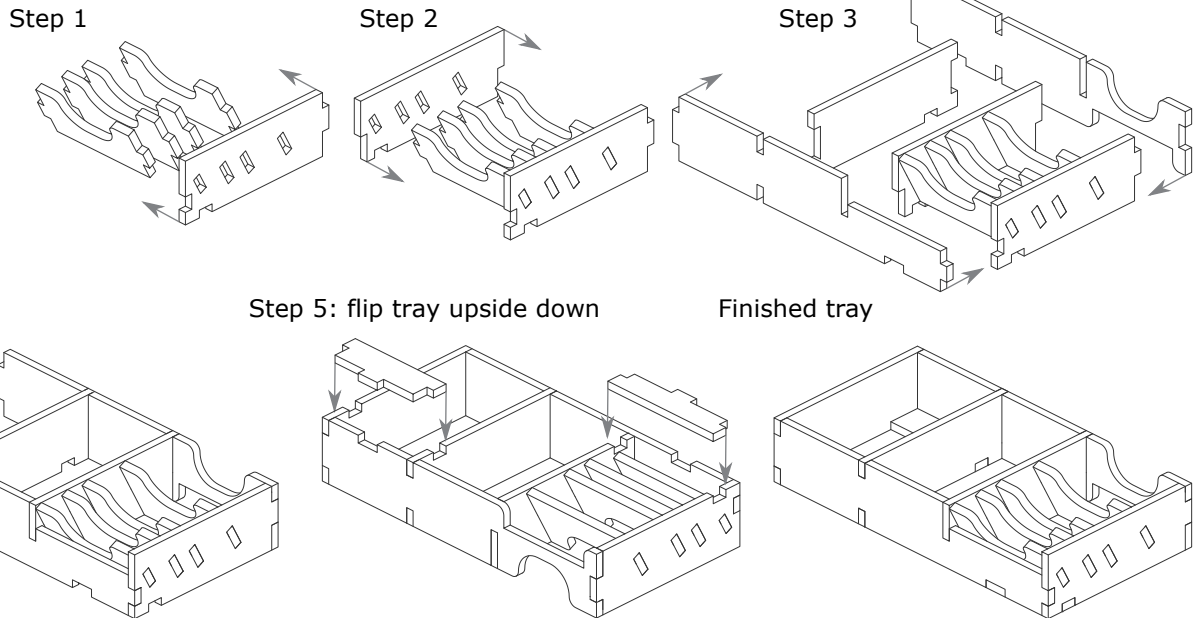
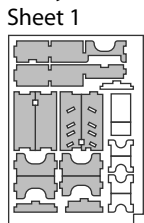
FS-CORAQ Insert compatible with CoraQuest®, and separately compatible with the CoraQuest®: Keep on Questing expansion



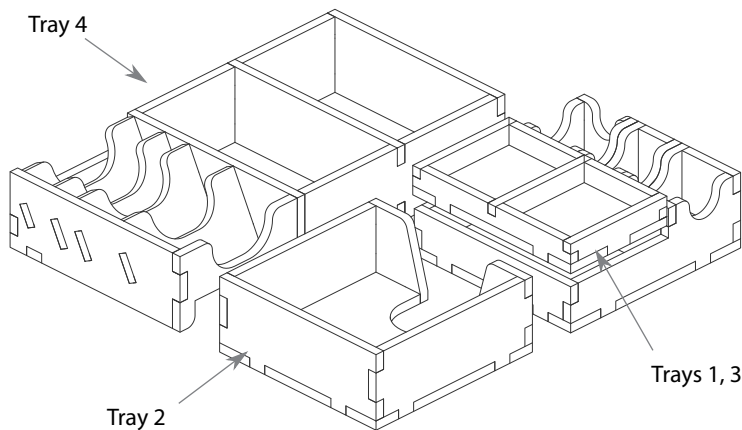
Tray 3 continued



Tray 4



FS-CORAQ



Please check www.foldedspace.com for photos of this insert in use.

Tray legend - base game

- Tray 1 - second wind, explore, poison/quest, and hero countdown tokens
- Tray 2 - large square cards
- Tray 3 - dice & spare stands, and damage, spider & treasure chest tokens
- Tray 4 - small card decks, hero health dials, and standees & big boss health dial

Tray legend - expansion

- Tray 1 - "1" cora coins
- Tray 2 - large square cards
- Tray 3 - dice, hero countdown tokens, "5" cora coins, and movement tokens & curse tokens
- Tray 4 - small card decks and standees

Note: if you have both game and expansion, and hence two copies of the insert, it is best to group together cards and tokens of a similar type. Please check our website for detailed images