

# FS-LRAv2 Insert compatible with Lost Ruins of Arnak® including the Expedition Leaders® expansion

## Assembly Instructions



The package contains five sheets: 1 double and 3 single sheets.

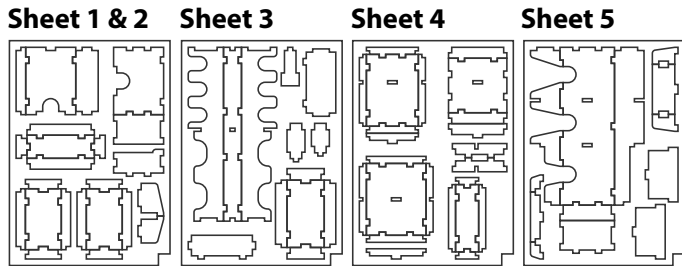
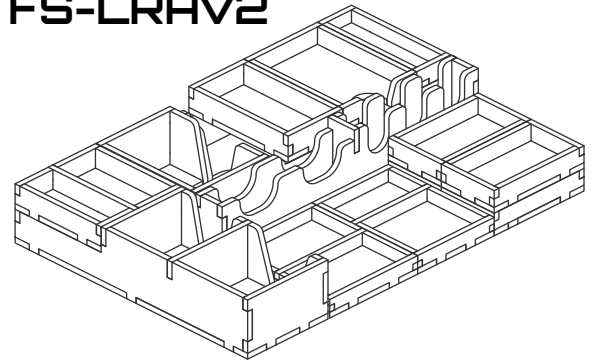
After assembly the trays are put in up to three layers in the original game box.

Ordinary PVA glue is required when assembling each tray.

Please make sure you dry-assemble each tray correctly before gluing it together.

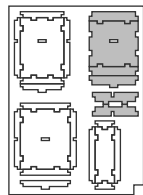
Please check [www.foldedspace.com](http://www.foldedspace.com) for general assembly tips.

### FS-LRAv2

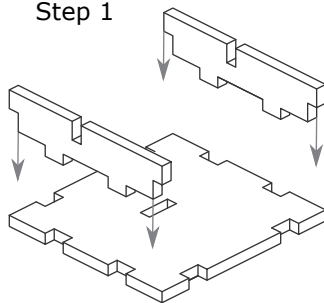


#### Tray 1

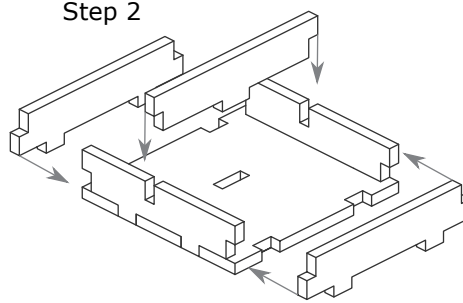
Sheet 4



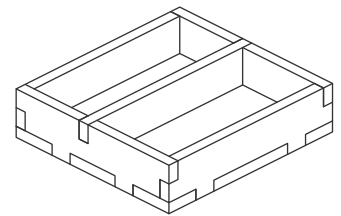
Step 1



Step 2



Finished tray

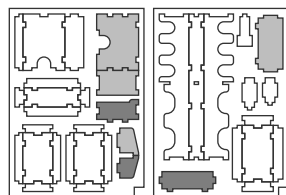


#### Trays 2a, 2b

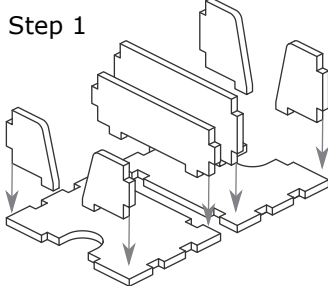
(Tray 2a pieces marked with ●, and Tray 2b pieces marked with ★)

Sheet 1 & 2

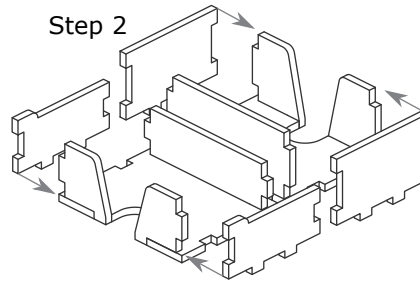
Sheet 3



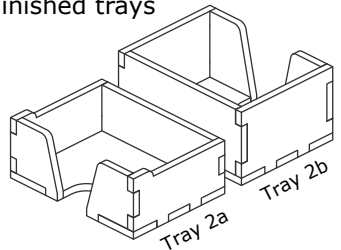
Step 1



Step 2



Finished trays

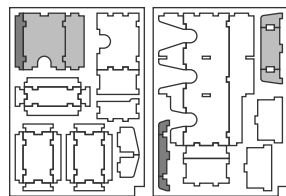


#### Tray 3a, 3b

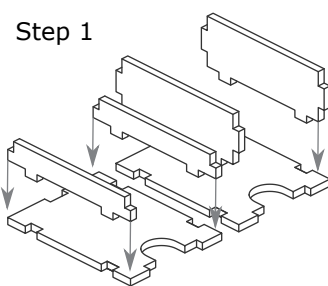
(Tray 3a pieces marked with ●, and Tray 3b pieces marked with ■)

Sheet 1 & 2

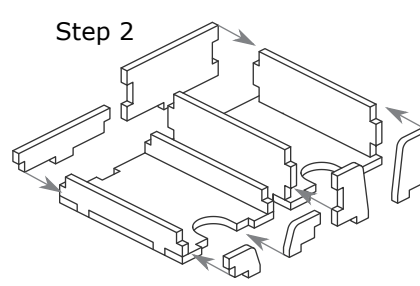
Sheet 5



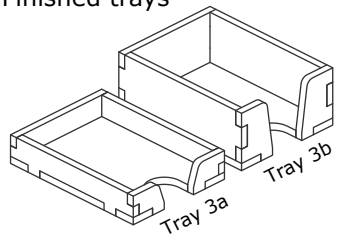
Step 1



Step 2

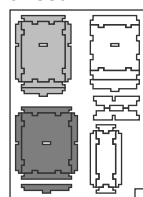


Finished trays

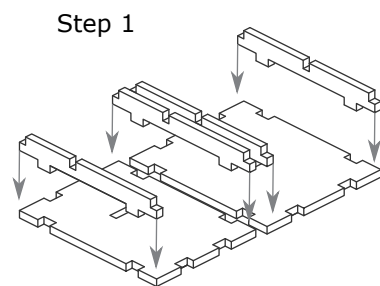


#### Tray 4a, 4b

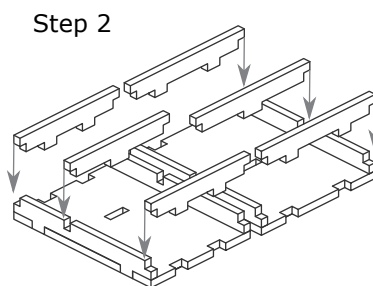
Sheet 4



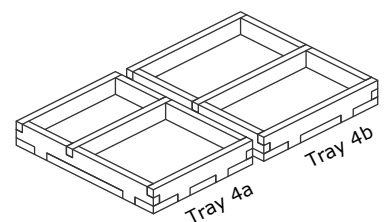
Step 1



Step 2



Finished trays

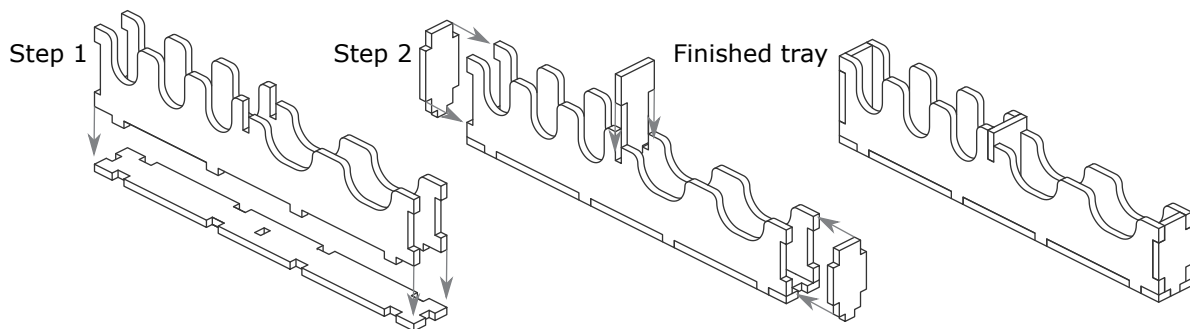
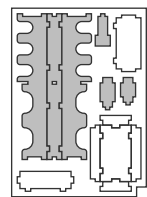


# FS-LRAv2 Insert compatible with Lost Ruins of Arnak® including the Expedition Leaders® expansion



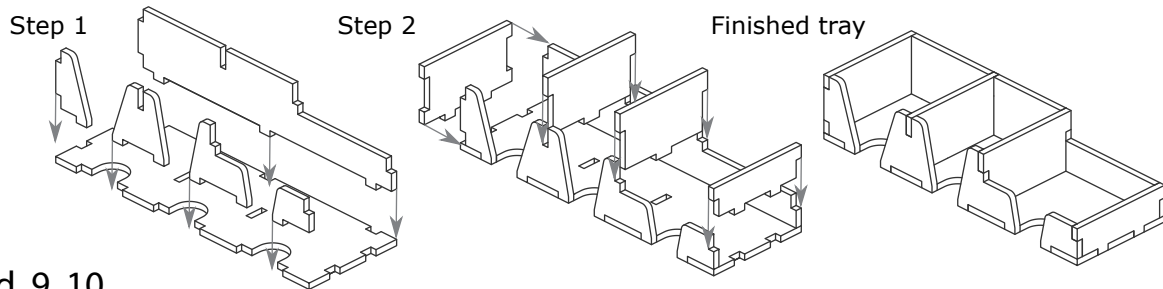
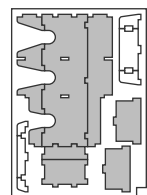
## Tray 5

Sheet 3



## Tray 6

Sheet 5

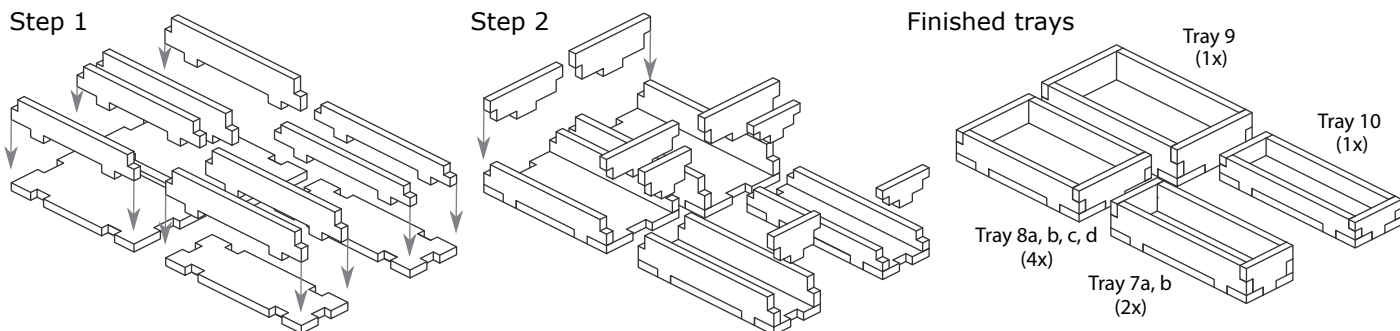
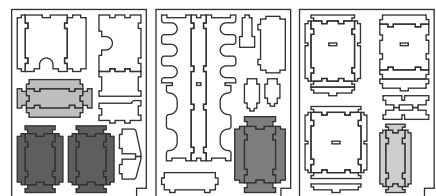


## Trays 7a-b, 8a-d, 9, 10

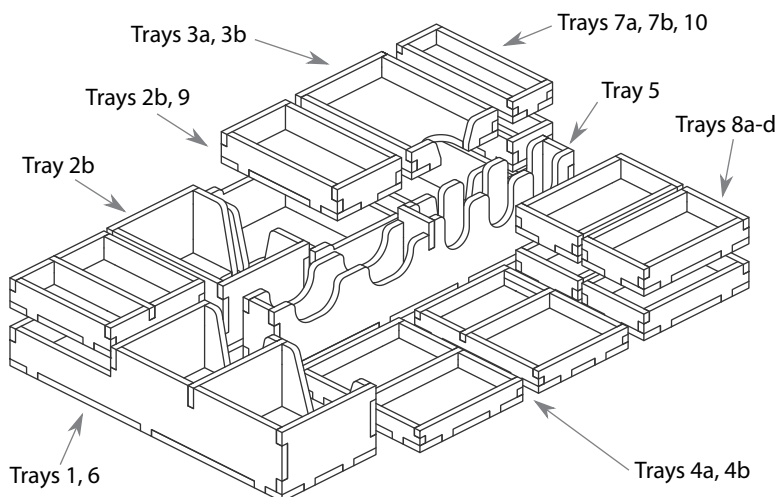
Sheet 1 & 2

Sheet 3

Sheet 4



## FS-LRAv2



Please check [www.foldedspace.com](http://www.foldedspace.com) for photos of this insert in use.

### Tray legend Variant 1

- Tray 1 - research bonus tiles and other tiles
- Tray 2a, b - artifact and item cards
- Tray 3a, b - fear and basic cards
- Tray 4a - reserve and idol tiles
- Tray 4b - coin and compass tokens
- Tray 5 - assistant and rival action tiles
- Tray 6 - guardian and site tiles
- Tray 7a, b - jewels and tablets
- Tray 8a, b, c, d - player pieces
- Tray 9 - temple tiles
- Tray 10 - arrowheads

Note: starting player marker and suitcase tile can be added to one of the card trays with room. The smaller folded player boards are placed on top of Trays 4a & 4b, and the remaining larger player boards on top of these together with the player aids and score pad.