

FS-IMST Insert compatible with Imperial Steam®



Assembly Instructions

The package contains five sheets: 1 double and 3 single sheets.

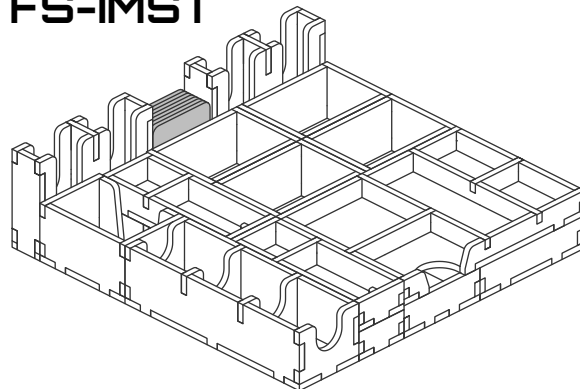
After assembly the trays are put in up to two layers in the original game box.

Ordinary PVA glue is required when assembling each tray.

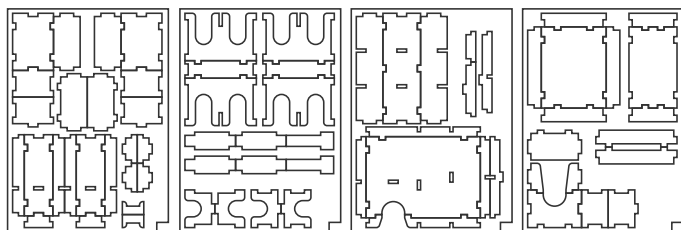
Please make sure you dry-assemble each tray correctly before gluing it together.

Please check www.foldedspace.com for general assembly tips.

FS-IMST

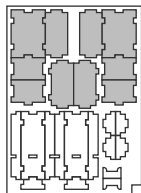


Sheet A1, A2 Sheet B Sheet C Sheet D

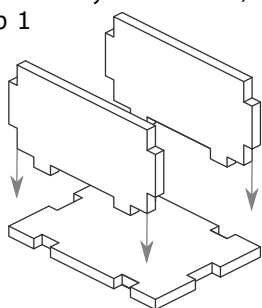


Trays 1a, 1b, 1c, 1d (the four trays are identical)

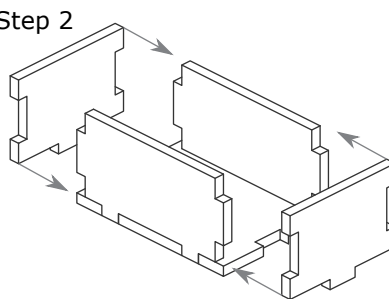
Sheet A1, A2



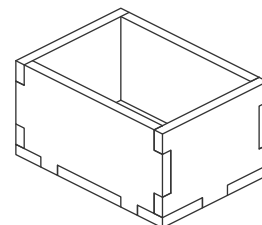
Step 1



Step 2

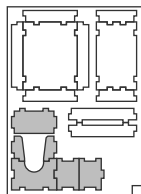


Finished tray

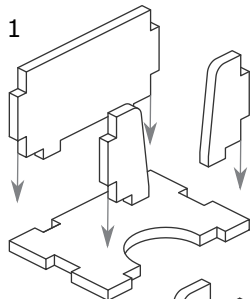


Tray 2

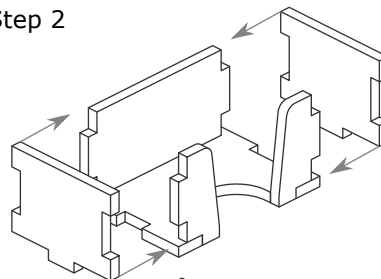
Sheet D



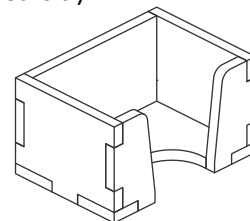
Step 1



Step 2

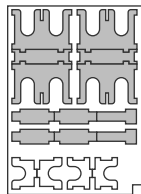


Finished tray

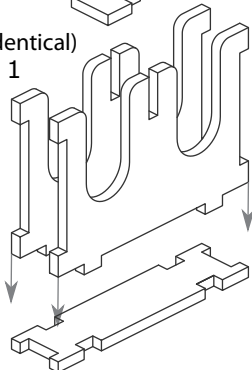


Tray 3a, 3b (the trays are identical)

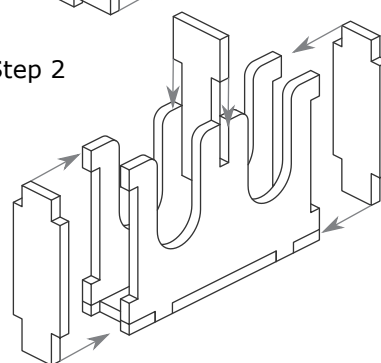
Sheet B



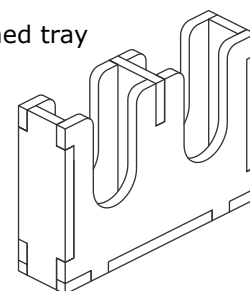
Step 1



Step 2

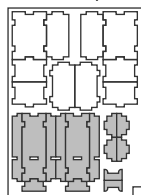


Finished tray

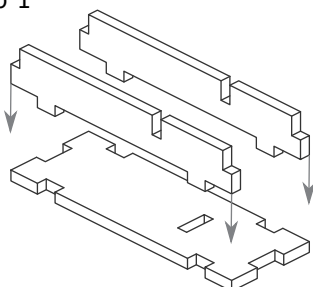


Tray 4a, 4b, 4c, 4d (the four trays are identical)

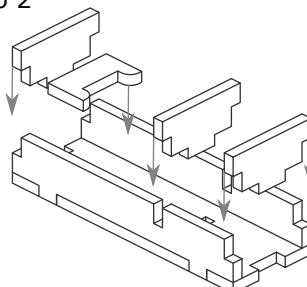
Sheet A1, A2



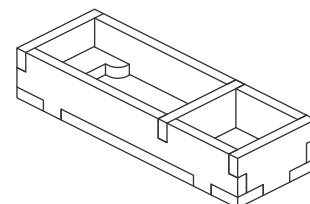
Step 1



Step 2



Finished tray

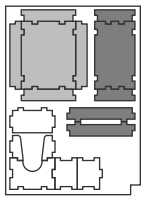


FS-IMST Insert compatible with Imperial Steam®

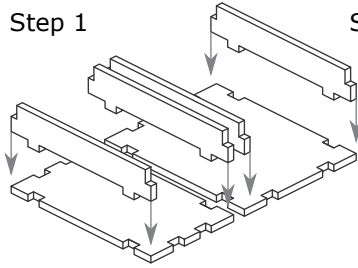
Tray 5a, 5b



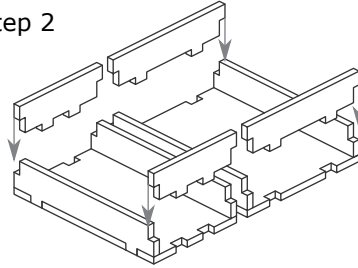
Sheet D



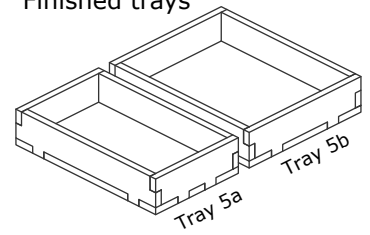
Step 1



Step 2

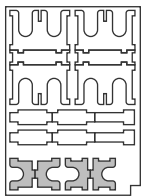


Finished trays

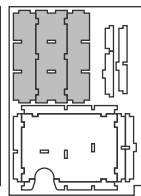


Tray 6

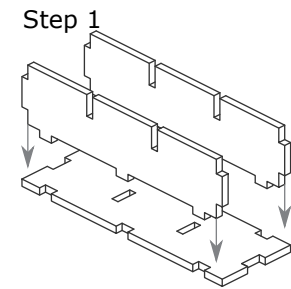
Sheet B



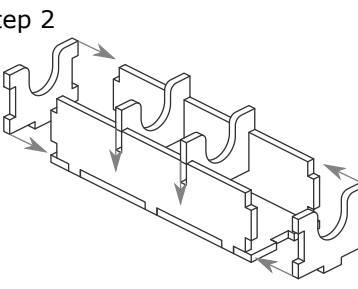
Sheet C



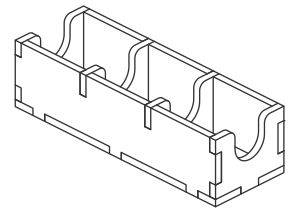
Step 1



Step 2

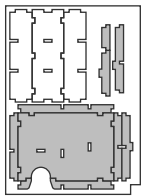


Finished tray

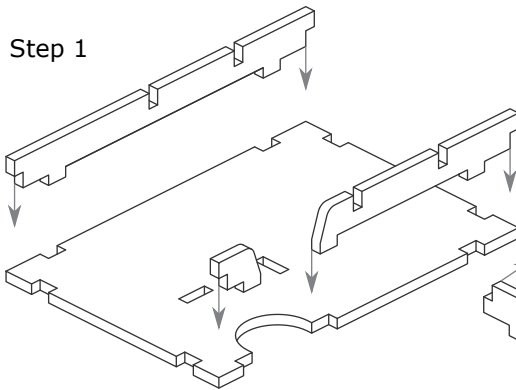


Tray 7

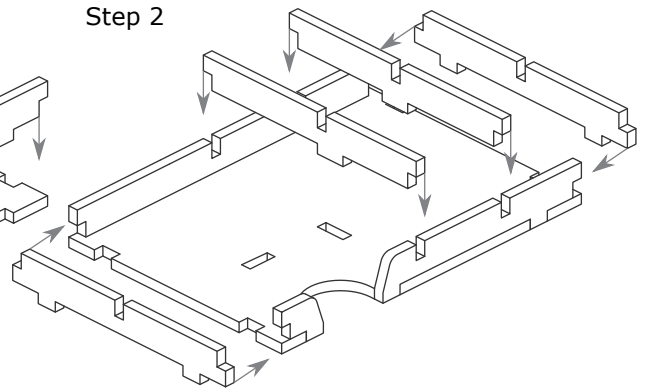
Sheet C



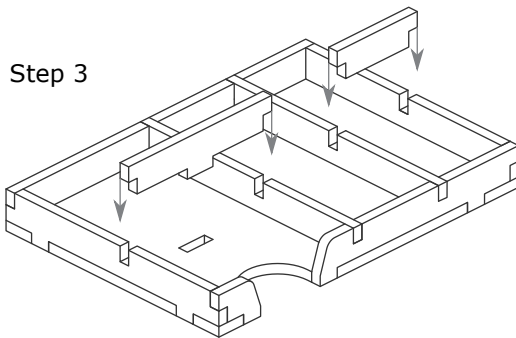
Step 1



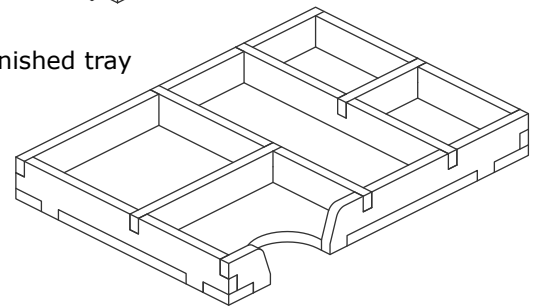
Step 2



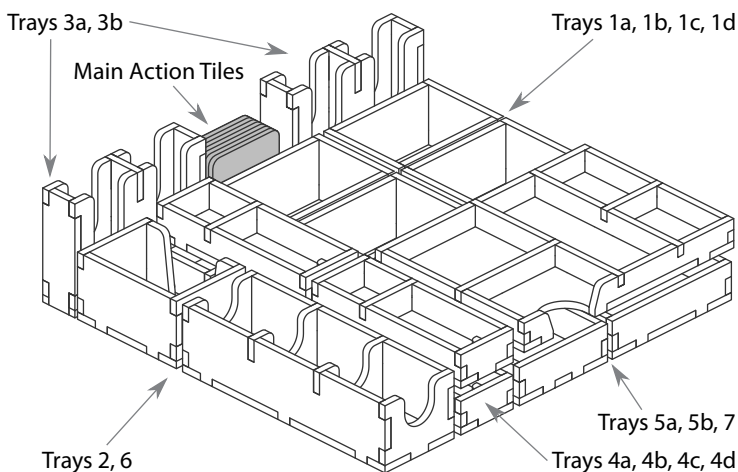
Step 3



Finished tray



FS-IMST



Please check www.foldedspace.com for photos of this insert in use.

Tray legend:

- Tray 1a, b, c, d - player pieces, incl. six steam engine tiles, two unbuilt train stations and one share value marker
- Tray 2 - contract and state railway setup cards
- Tray 3a, b - gulden cards
- Tray 4a, b, c, d - wooden goods and factories
- Tray 5a - investor meeples
- Tray 5b - train car tiles
- Tray 6 - city tiles, split by player count
- Tray 7 - normal setup & summary cards, reserved tokens, business tokens, and other setup tokens & meeples

Note: the boards need to be stacked in a particular way to ensure no lid lift when the box is fully loaded. Please check our website to see how they fit together in layers.

Tip: Keep the instructions in the bottom of your board game box as a reminder of how the insert fits together.