

# FS-LCG insert

compatible with Living Card Games®,

such as Warhammer Invasion®, Android Netrunner®, Star Wars®, and many others



## Assembly Instructions

The package contains 4 identical sheets. FS-LCG insert has two versions.

Each tray is doubled.

After assembly, trays 4 and 5 should be placed in the game box and not removed. The other trays are meant to be removed and used in game play.

Ordinary PVA glue is required when assembling each tray, for extra strength.

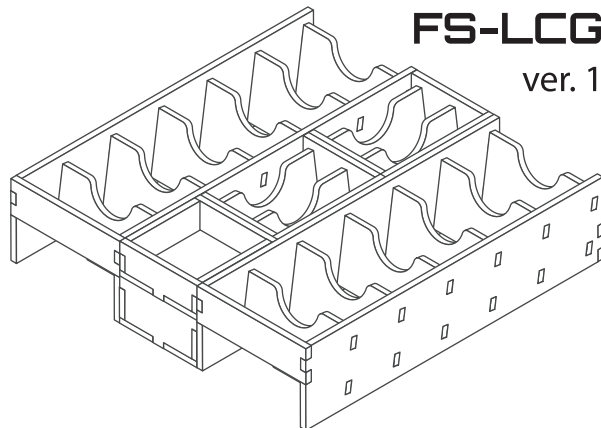
Please make sure you dry-assemble each tray correctly before gluing it together.

The parts marked in sheets C & D are to be discarded.

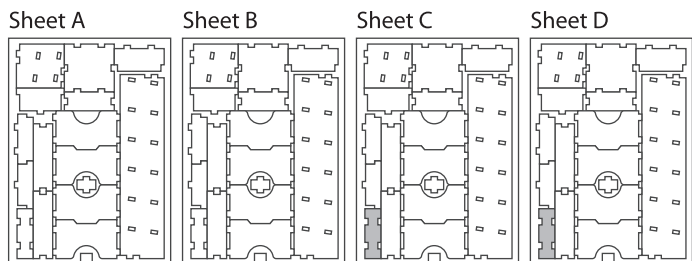
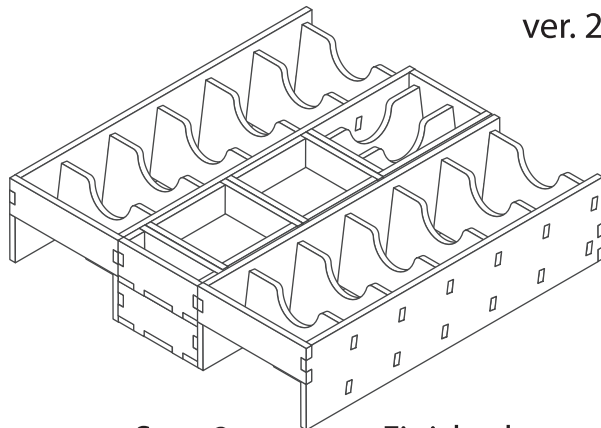
Please check [www.foldedspace.net](http://www.foldedspace.net) for general assembly tips.

### FS-LCG

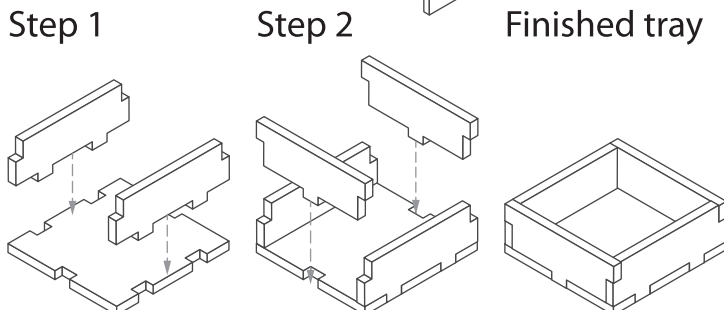
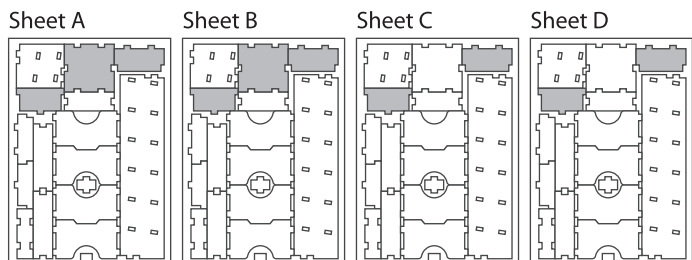
ver. 1



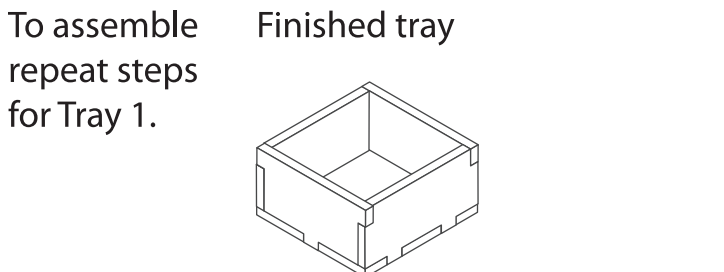
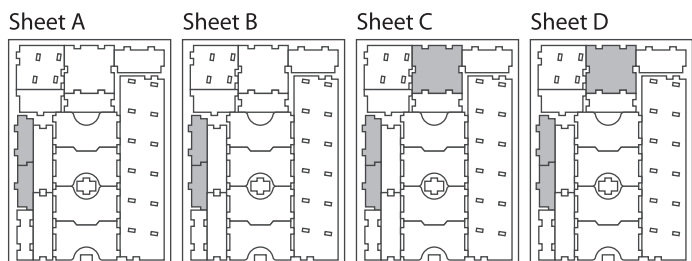
ver. 2



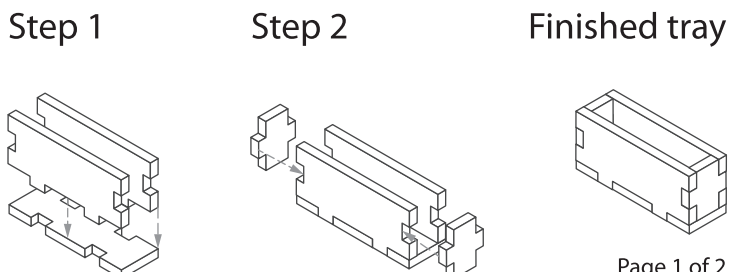
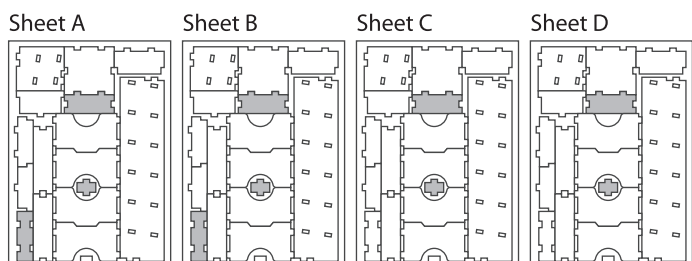
### Tray 1a & 1b (the trays are identical)



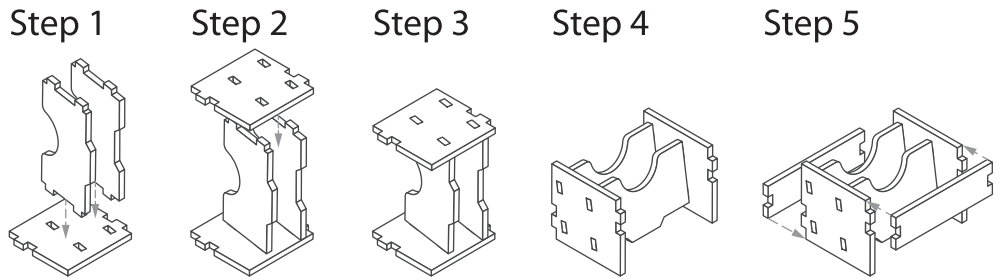
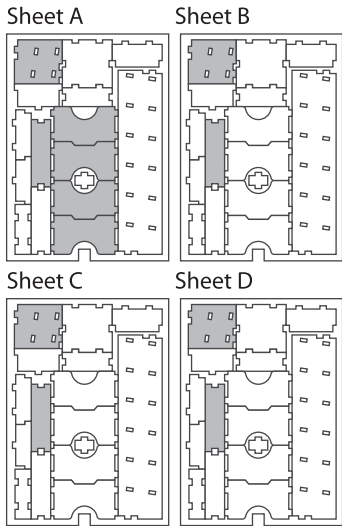
### Tray 2a & 2b (the trays are identical)



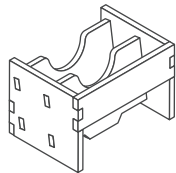
### Tray 3a & 3b (the trays are identical)



**Tray 4a & 4b** (the trays are identical)

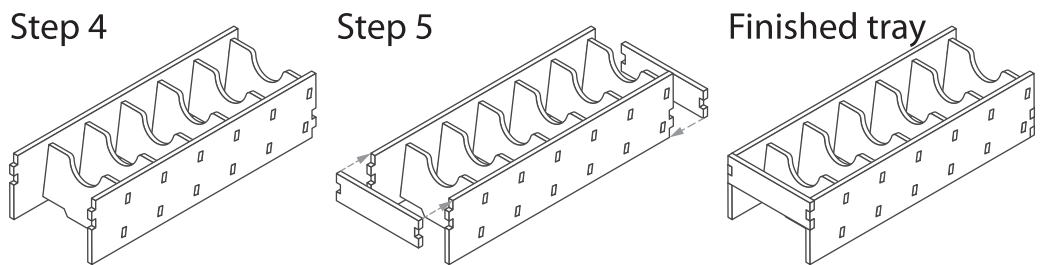
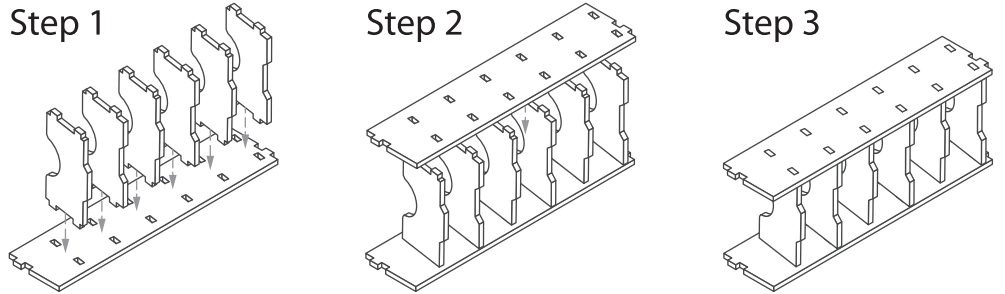
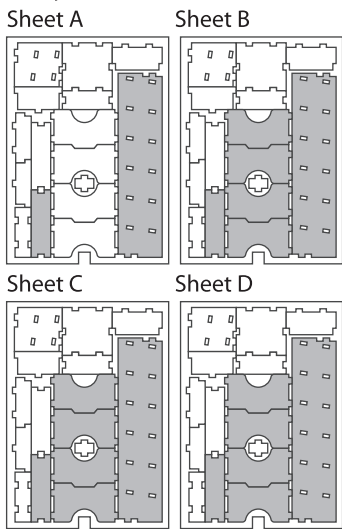


Finished tray



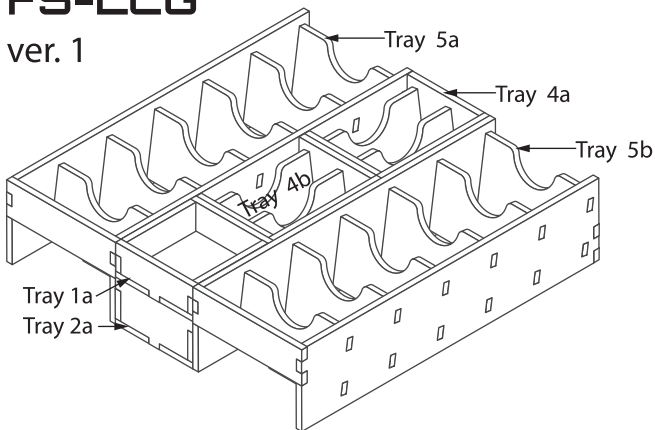
**Note on Tray 4 and Tray 5:**  
No glue is needed in steps 1 to 4.

**Tray 5a & 5b** (the trays are identical)

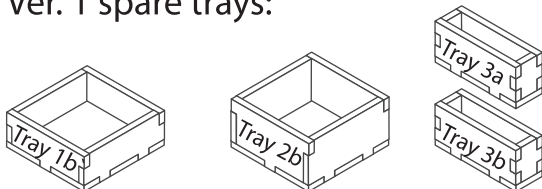


**FS-LCG**

ver. 1

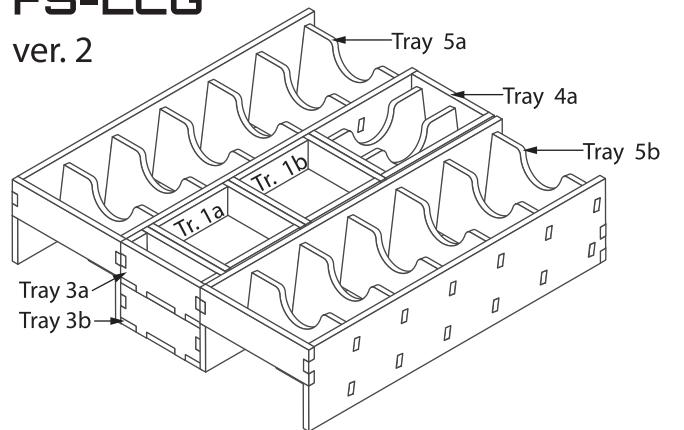


Ver. 1 spare trays:



**FS-LCG**

ver. 2



Ver. 2 spare trays:

