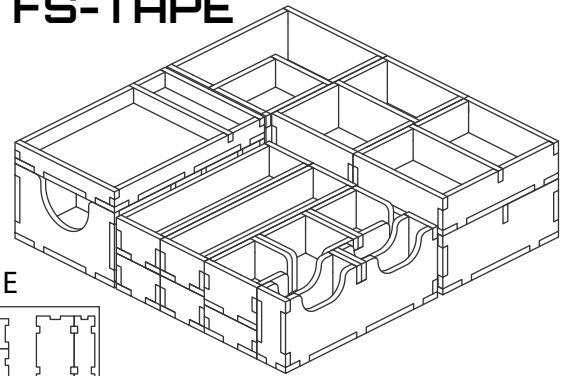


# FS-TAPE Insert compatible with Tapestry®, including the Plans & Ploys® and Arts & Architecture® expansions

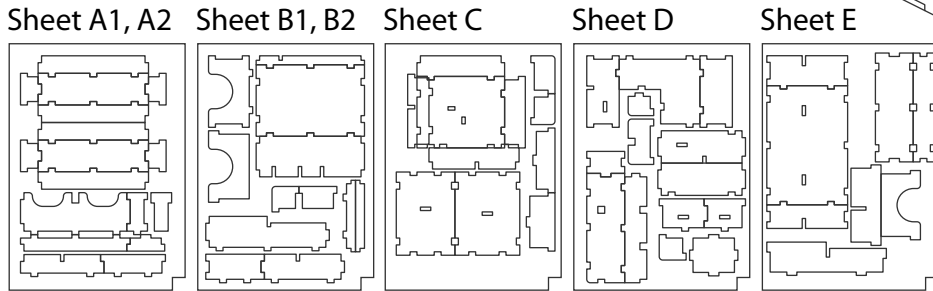


## FS-TAPE

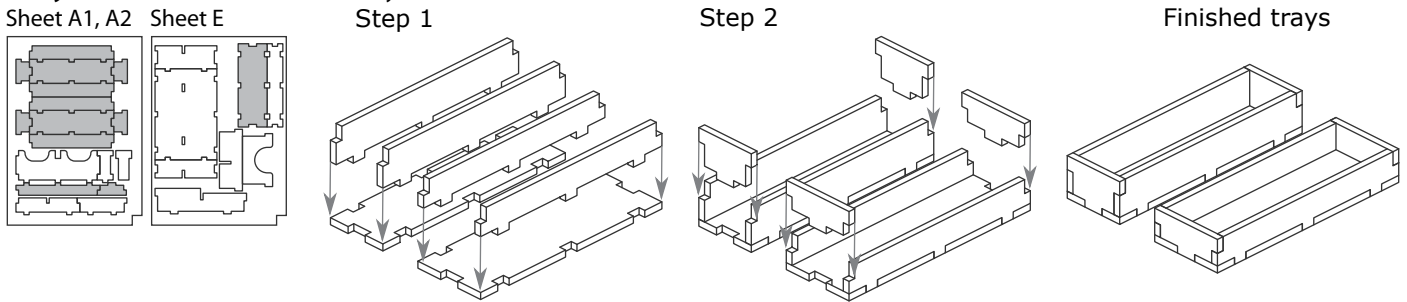


## Assembly Instructions

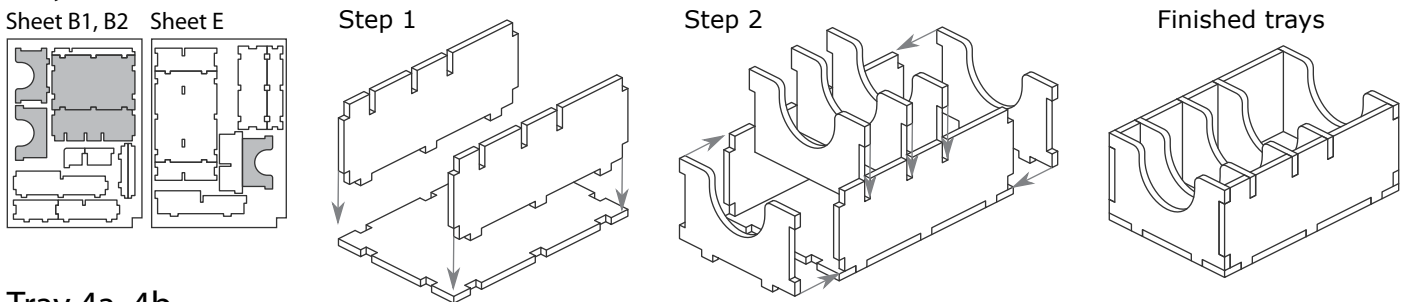
The package contains 7 sheets: two double and three single sheets.  
 After assembly the trays are put in up to two layers in the original game box.  
 Ordinary PVA glue is required when assembling each tray.  
 Please make sure you dry-assemble each tray correctly before gluing it together.  
 Please check [www.foldedspace.com](http://www.foldedspace.com) for general assembly tips.



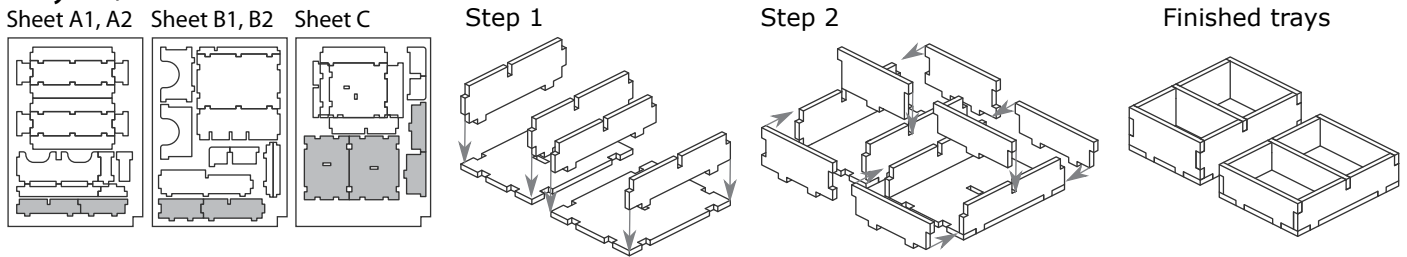
### Tray 1a, 1b, 1c, 1d, 2 (trays 1a-1d are identical)



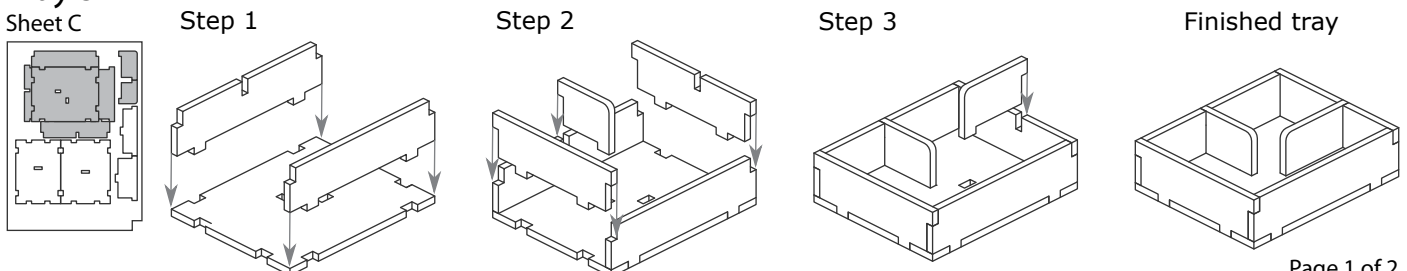
### Tray 3



### Tray 4a, 4b



### Tray 5

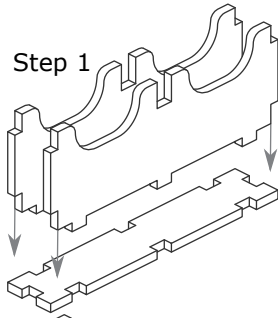
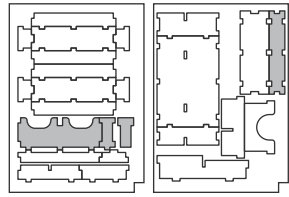


FS-TAPE Insert compatible with Tapestry®, including the Plans & Ploys® and Arts & Architecture® expansions

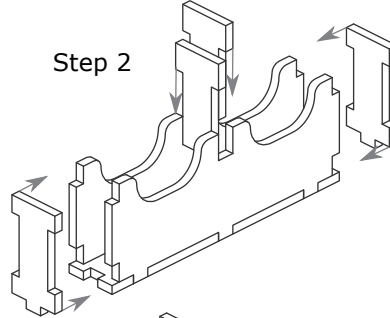


Tray 6

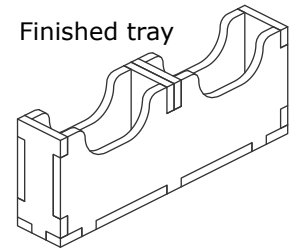
Sheet A1, A2 Sheet E



Step 2

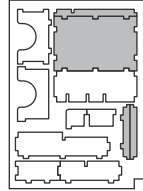


Finished tray

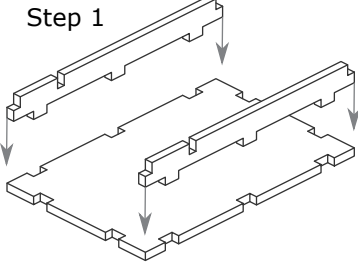


Tray 7

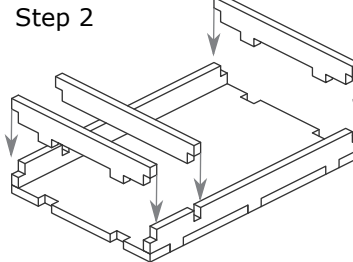
Sheet B1, B2



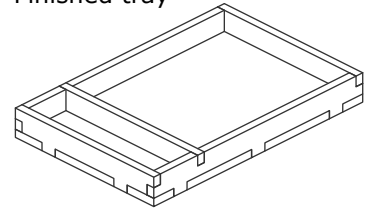
Step 1



Step 2

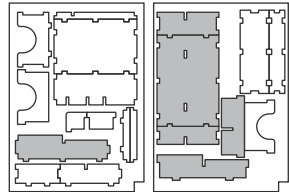


Finished tray

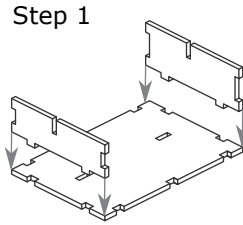


Tray 8

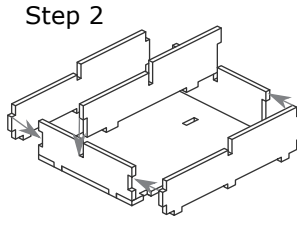
Sheet B1, B2 Sheet E



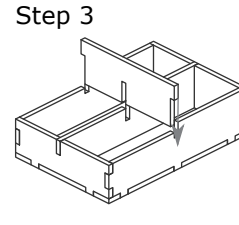
Step 1



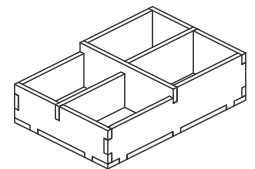
Step 2



Step 3

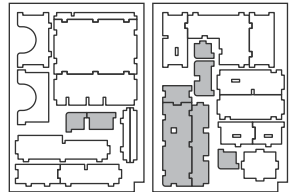


Finished tray

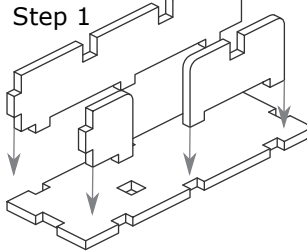


Tray 9

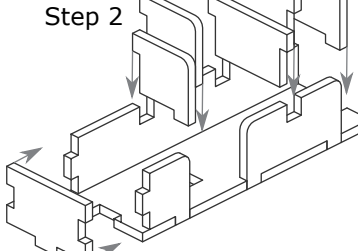
Sheet B1, B2 Sheet D



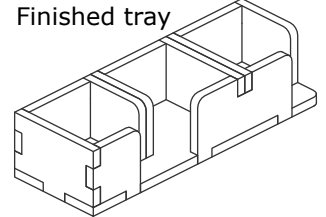
Step 1



Step 2

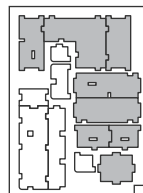


Finished tray

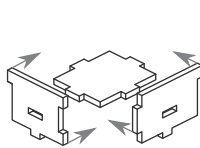


Tray 10

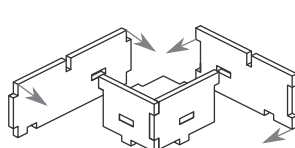
Sheet D



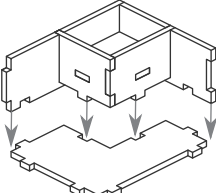
Step 1



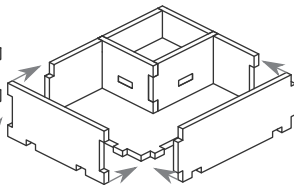
Step 2



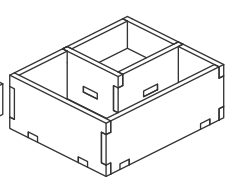
Step 3



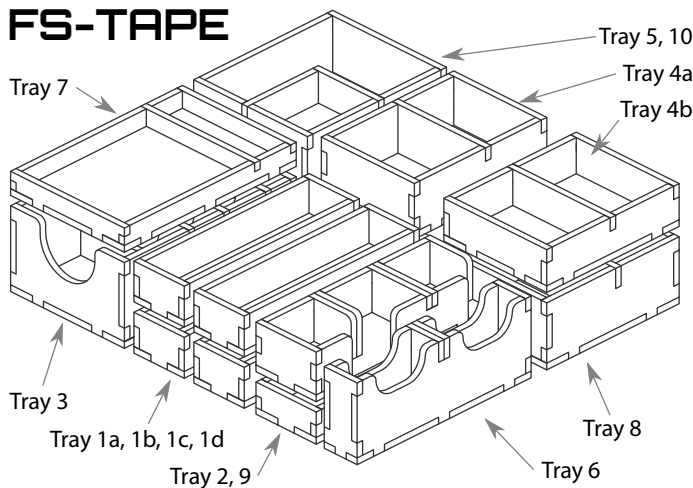
Step 4



Finished tray



FS-TAPE



Please check [www.foldedspace.com](http://www.foldedspace.com) for photos of this insert in use.

Tray legend:

- Tray 1a, b, c, d, 2 - player pieces
- Tray 3 - card decks
- Tray 4a - arts track and tech card buildings
- Tray 4b - tech card buildings, including the monolith and colosseum
- Tray 5 - castle, and the smaller landmark card buildings
- Tray 6 - space tiles
- Tray 7 - inspiration tiles, landmark tokens, and first player marker
- Tray 8 - technology, military, exploration and science landmark buildings
- Tray 9 - territory tiles
- Tray 10 - dice, and the four larger landmark card buildings