

FS-CAVv2 insert
compatible with Caverna[®],
includes trays for The Forgotten Folk[®] expansion box



FS-CAVv2

Assembly Instructions

The package contains 6 sheets, three of them are identical to the other three.

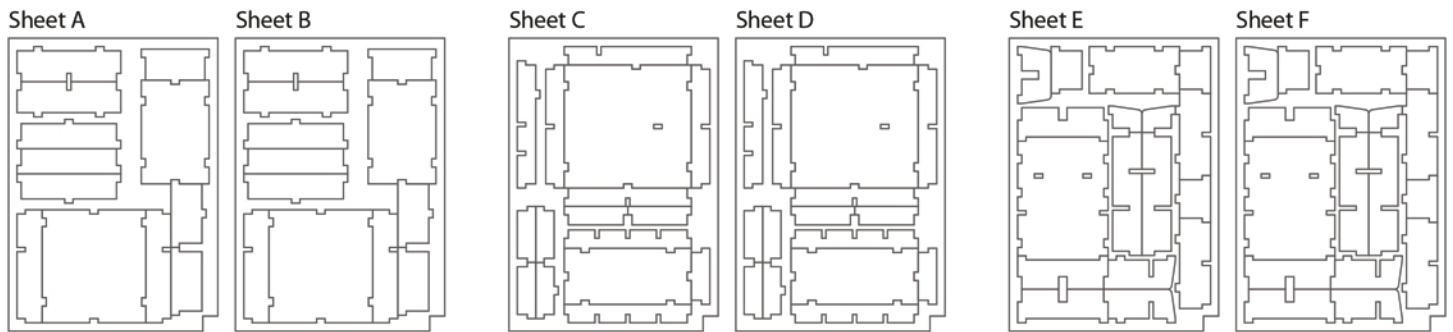
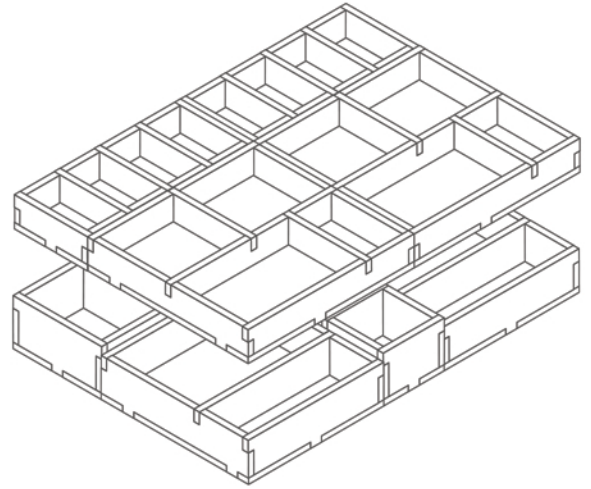
Each tray is doubled.

After assembly the trays are put in two layers in the original game box.

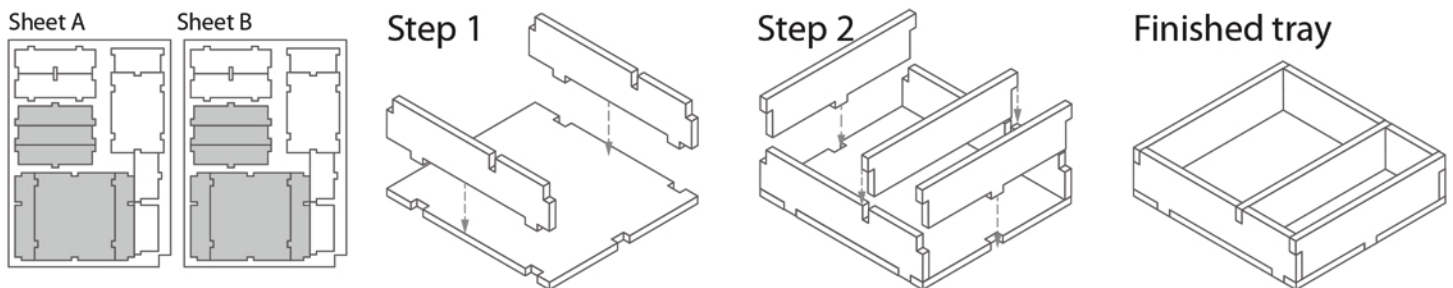
Ordinary PVA glue is required when assembling each tray.

Please make sure you dry-assemble each tray correctly before gluing it together.

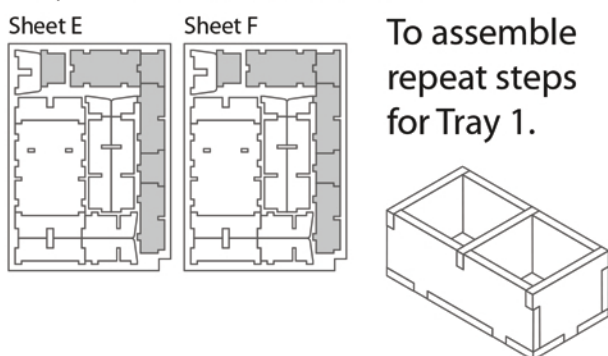
Please check www.foldedspace.net for general assembly tips.



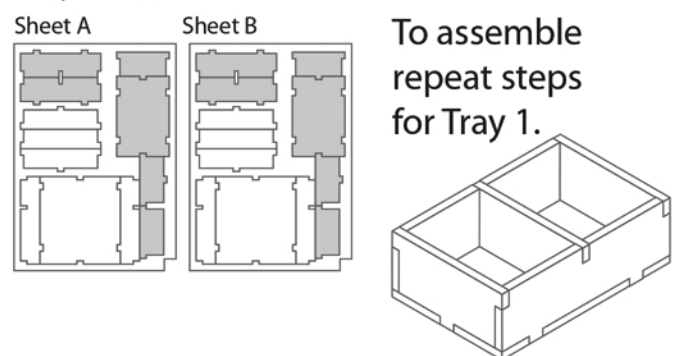
Tray 1a & 1b (the trays are identical)



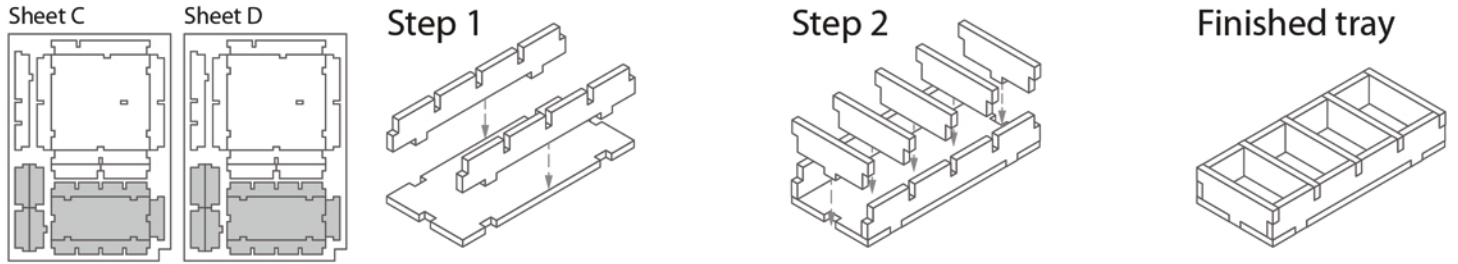
Tray 2a & 2b (the trays are identical)



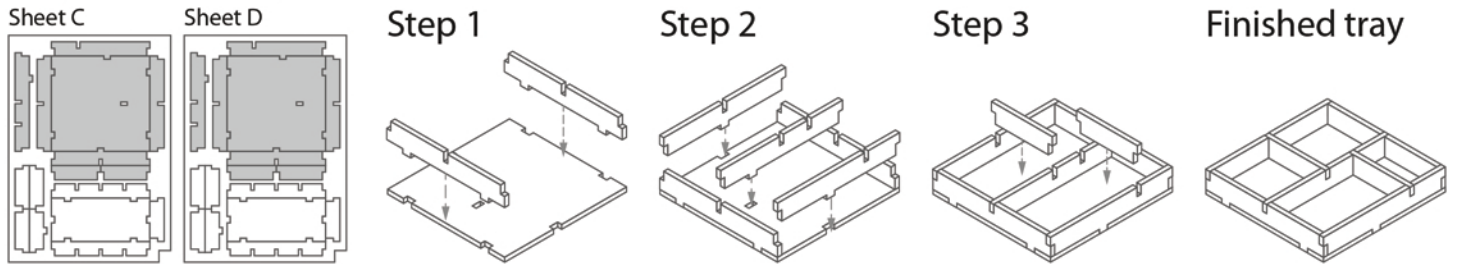
Tray 3a & 3b (the trays are identical)



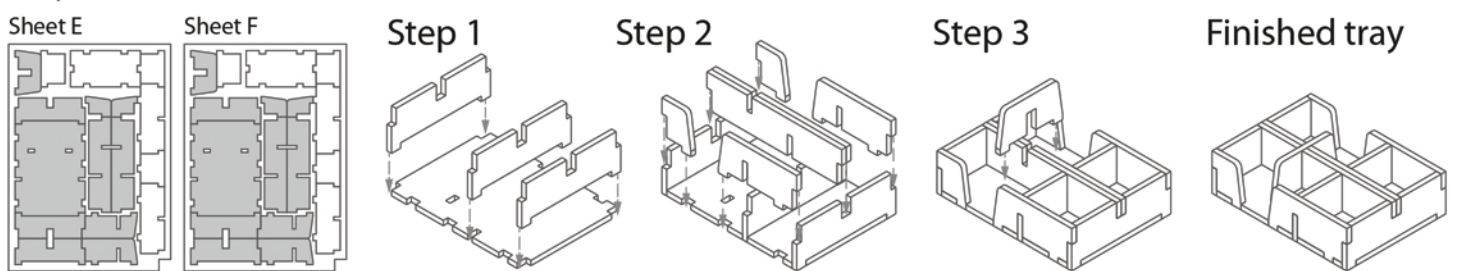
Tray 4a & 4b (the trays are identical)



Tray 5a & 5b (the trays are identical)

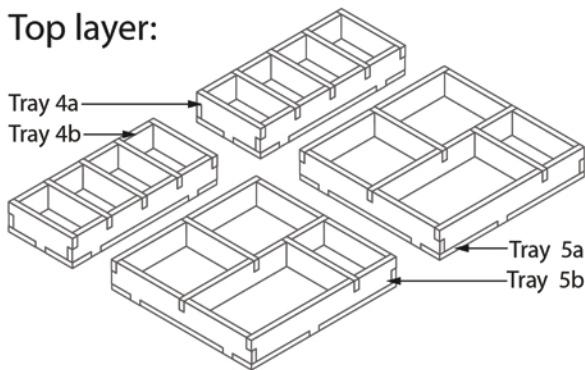


Tray 6a & 6b (the trays are identical)

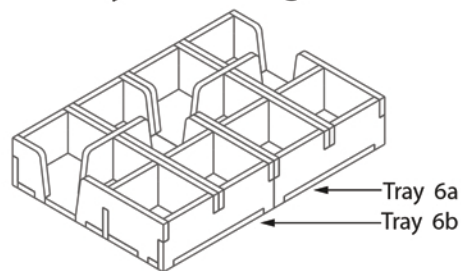


FS-CAVv2

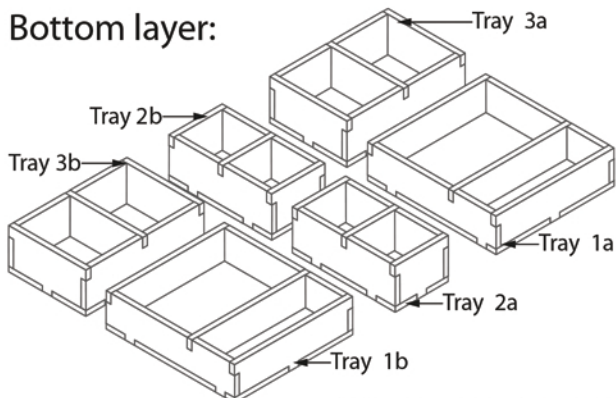
Top layer:



Extra trays for The Forgotten Folk box:



Bottom layer:



Tray legend:

- Tray 1a - single and twin place tiles
 - Tray 1b - single and twin place tiles
 - Tray 2a - weapon markers
 - Tray 2b - food, other tokens
 - Tray 3a - grain, vegetables
 - Tray 3b - wood, cattle
 - Tray 4a - player pieces
 - Tray 4b - player pieces, harvest tokens
 - Tray 5a - coins, donkeys, sheep, ruby gems
 - Tray 5b - dogs, boar, stone, ore gems
 - Tray 6a - gemfruit, mushrooms, furnishing and place tiles
 - Tray 6b - goblin markers, furnishing and place tiles
- Note: the coins from the expansion should be added to those in the main game box.

Please check www.foldedspace.net for photos of this insert in use.