

## Assembly Instructions

The package contains 2 sheets.

Please assemble the dice drawer first. Then assemble the tower and, at Step 8, fit the drawer in the tower before gluing the last element as shown. (Technically, the drawer can go in after gluing the dice tower, but it will be more difficult.)

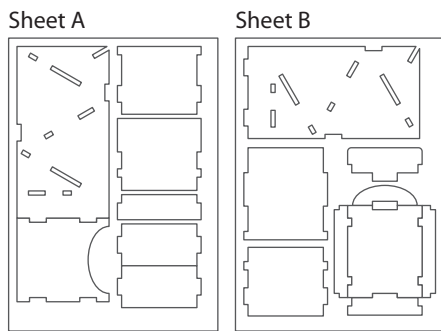
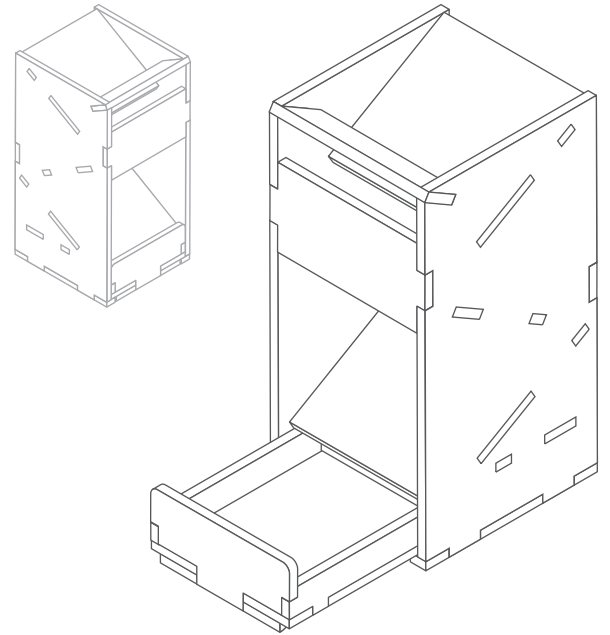
Ordinary PVA glue is required at some stages of assembly, for extra strength.

Please make sure you dry-assemble the dice tower correctly to test where the pieces go before gluing it together.

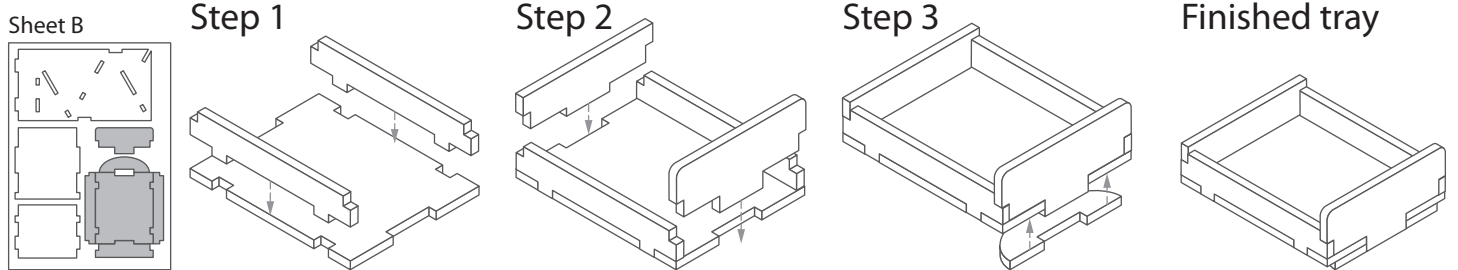
Dimensions - H x W x D (drawer in/drawer out): 210 x 100 x 110/200 mm

Please check [www.foldedspace.net](http://www.foldedspace.net) for general assembly tips.

## FS DiceT

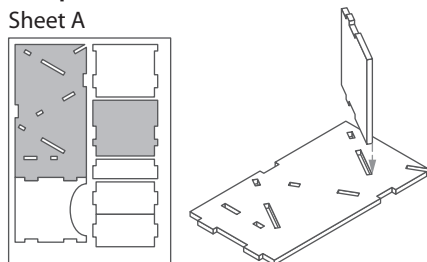


### Dice Drawer (use glue at all steps)

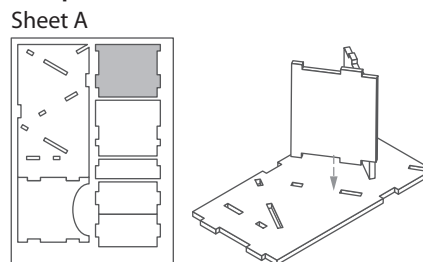


### Dice Tower

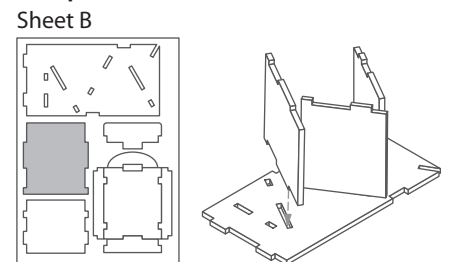
#### Step 1, no glue



#### Step 2, no glue



#### Step 3, no glue

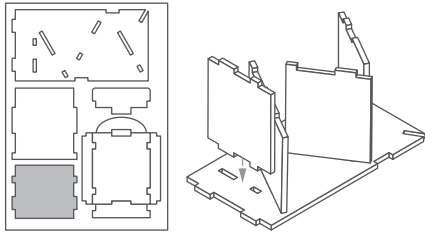


# Folded Space Dice Tower

## Dice Tower (cont.)

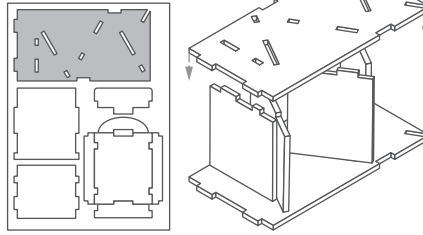
### Step 4, no glue

Sheet B



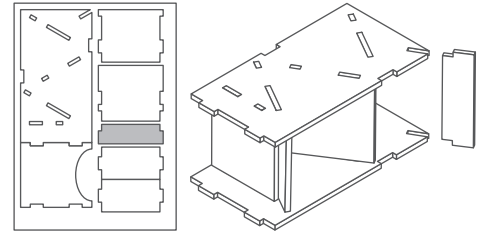
### Step 5, no glue

Sheet B



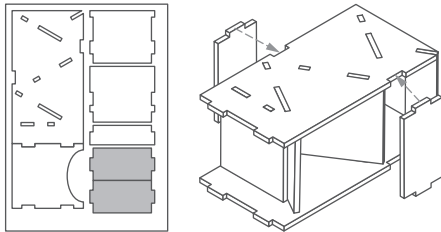
### Step 6, glue

Sheet A

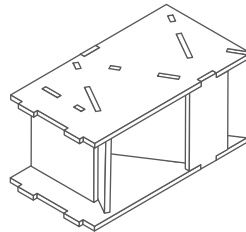


### Step 7, glue

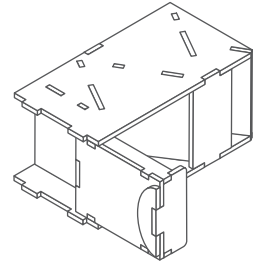
Sheet A



### Step 7 completed

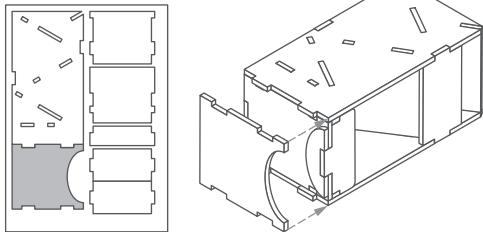


### Step 8, no glue

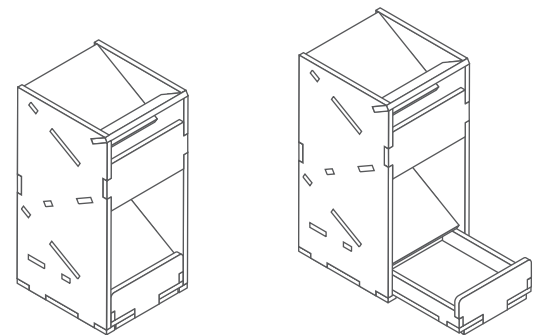
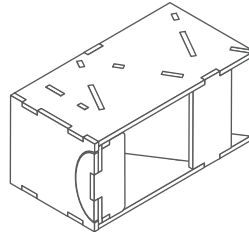


### Step 9, glue

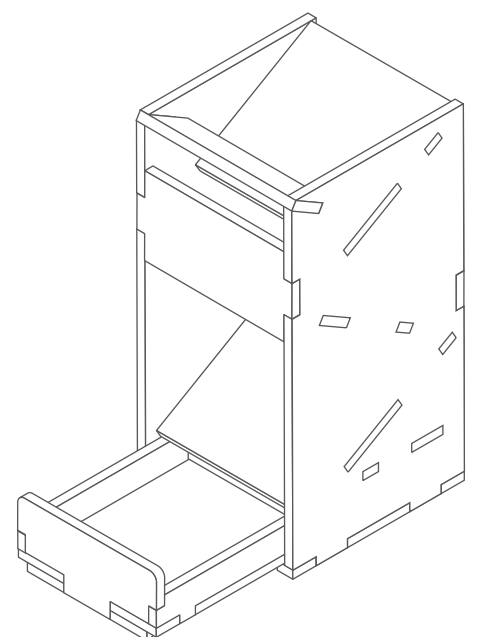
Sheet A



### Finished dice tower



## FS DiceT



Please check [www.foldedspace.net](http://www.foldedspace.net) for photos of the dice tower in use.